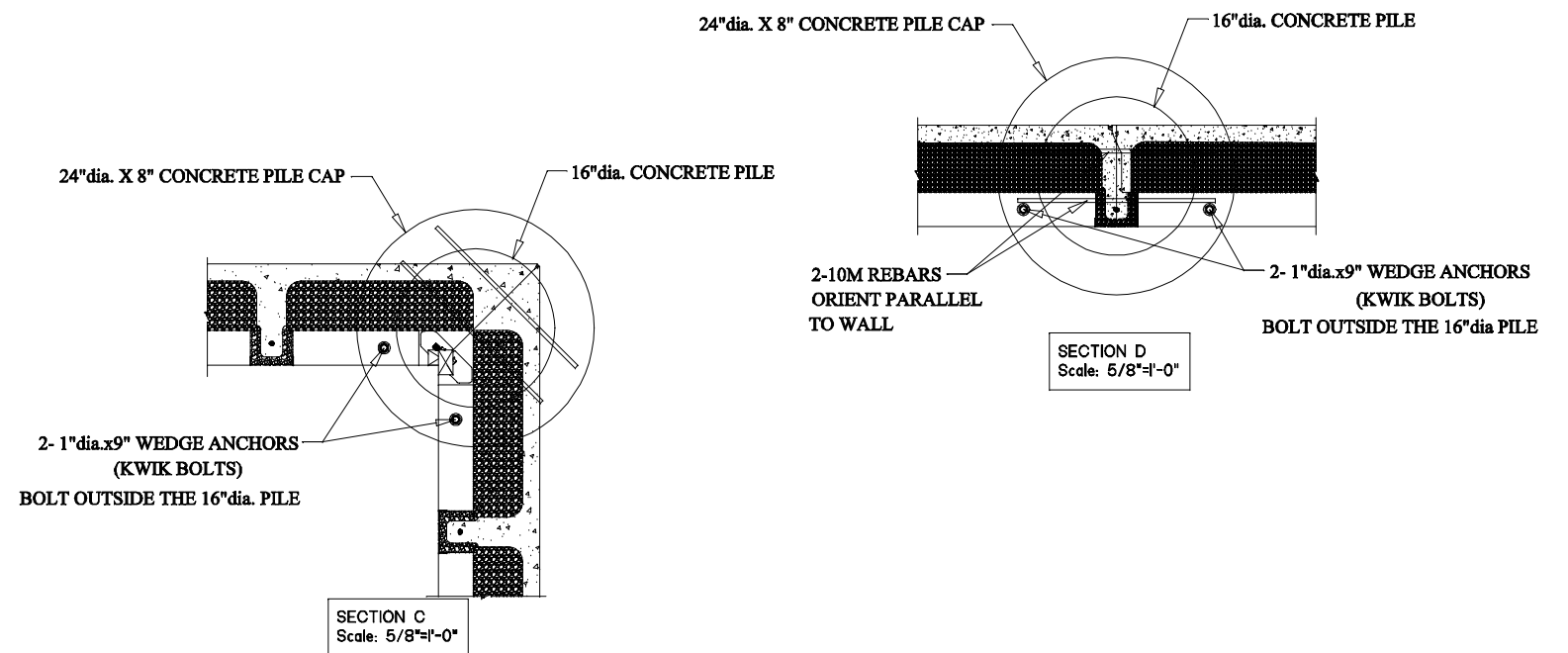
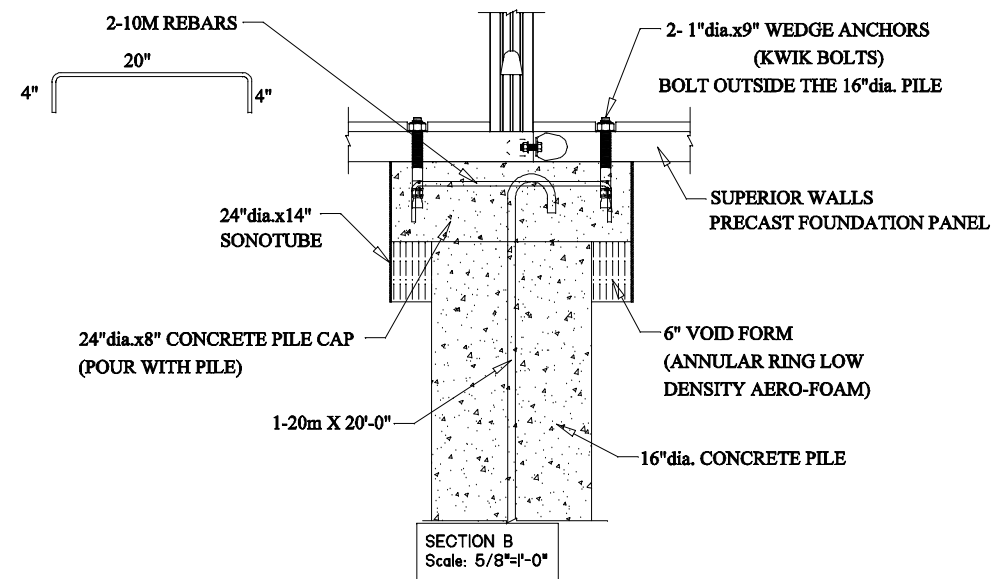
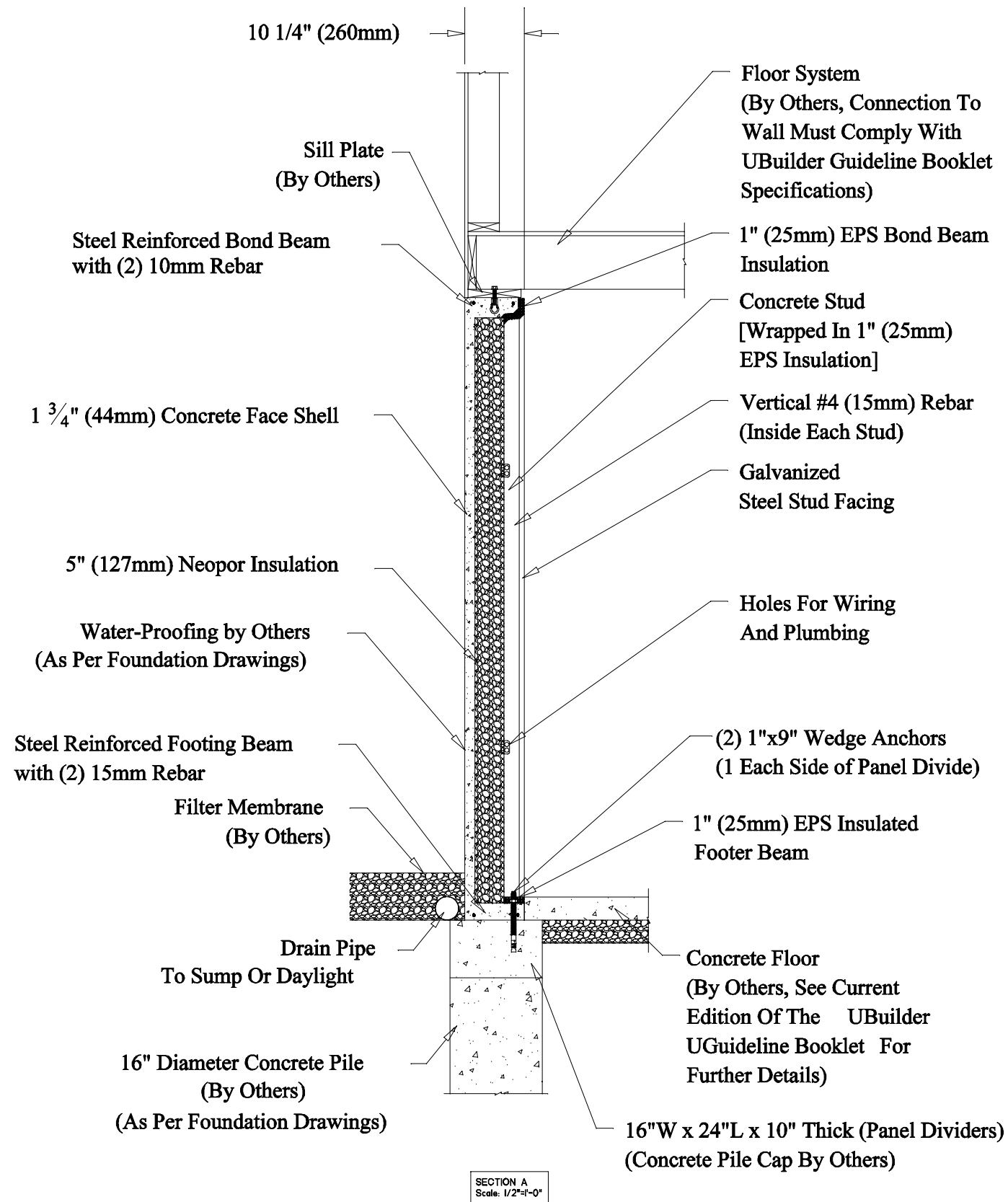


Pile Foundation Cross Section with Pile Caps



CUSTOMER ACKNOWLEDGEMENT
 By signing below I acknowledge that I have read and understand the information on this page and the Customer Release on page 1 of this drawing set.
 Signature of Customer/Builder _____ Date _____

DRAWING DATA:	
Sold by:	RW
Drawn by:	LG
Date Created:	11/26/2016
Last Revision:	12/12/2016
Revision #:	4
File Name:	54 larry vickar dr e
PROJECT NO.	Page 6 of 6
54 Larry Vickar Dr E	